

MLD

LED MAGNIFIER

FEATURES:

- LED technology
- 3.5 diopter magnification
- 6.3-inch diameter magnifying lens made from strong PMMA acrylic
- Ergonomic design with 2D head joint
- Color Rendering Index (CRI) >80
- 5000 K color temperature
- Continuously dimmable 100% to 10%
- Strong anodized aluminum housing
- Includes table clamp (0 – 2.7 inches)
- ETL/cETL approved

SPECIFICATIONS:

Voltage	100-240 V; 50/60 Hz
Lamping	LED
Color Temperature	5000 K
Color Rendering Index (CRI)	>80
Double Arm Material	anodized aluminum
Head Material	durable, lightweight polymer
Lens Material	hard-coated polycarbonate
Lens Dimension	6.3" diameter
Connection	10' cable with NEMA 1-15 plug
Protection Rating	IP20
Certification	ETL/cETL
Accessories	See page 71



A perfect combination of optimal 3.5 diopter magnification and high light quality – the MLD magnifying luminaire can be used wherever a closer look is needed. The 2D head joint along with a wide field of vision allow for adjustability with comfort and ease. The 6.3-inch distortion-free lens and premium LED light offer clear, glare-free vision at the work surface. In addition, the dimming functionality makes this magnifying luminaire an indispensable tool for many industrial applications where intricate work is performed.



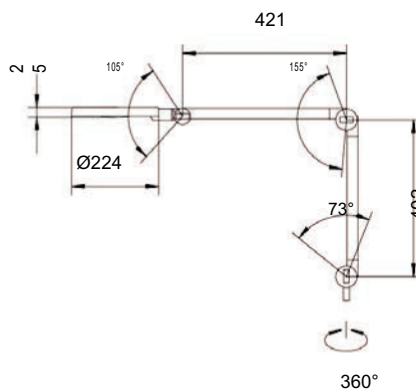
Machine

Task & Workbench

Magnification & Inspection

Facility Lighting

Accessories



Measurements in millimeters

MOUNTING OPTIONS



Table Clamp (included)



Wall Bracket



Table Base



Rolling Floor Stand

ORDERING INFORMATION

Wattage	Arm Reach	Magnification	Color Temp	Part #
12 W	31"	3.5 diopters	5000 K	113525000-00698859
Mounting Options	Item	Dimensions	Part #	
	Table clamp (included)	0" – 2.75" span	ILL00100C-00050472	
	Table base for pin mount	10" diameter	190186019-00009644	
	Wall mount, black	3.5" x 2.5" x 2.5"	308218109	
	Rolling Floor Stand	25" diameter	D15595000	