

canfield
connector

CANFast®
round connectors

M8 SERIES
STANDARD A-CODING
8MM STRAIGHT
ROUND CONNECTORS

GENERAL DESCRIPTION

Canfield Connector is known for its robust connections with an American twist, and the CANFAST® brand of M8 electrical connectors are no exception. This family of robust, all molded anti-vibration electrical connectors for sensors and actuators are specified by those needing a sure connection to valves, sensors, or automation of all types. Available in all industry styles including shielded and unshielded, and in various wire lengths. The CANFAST® round connectors are made in the USA to strict quality standards and are ready for fast delivery.

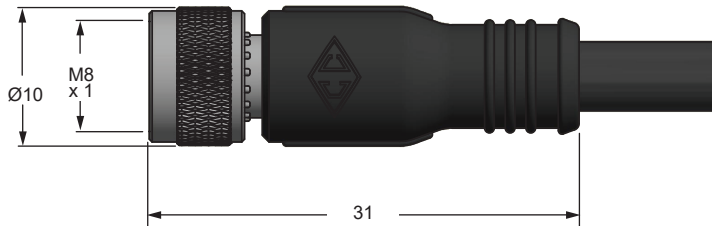


Male 4-Pin version shown above

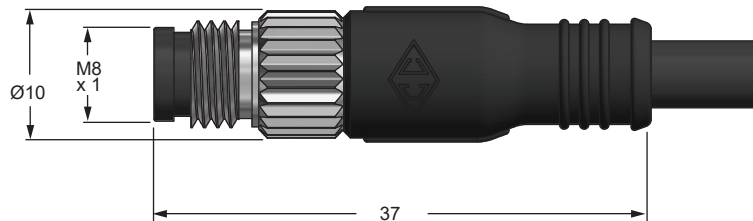
DIMENSIONAL DATA

All dimensions are in millimeters unless otherwise noted.

FEMALE



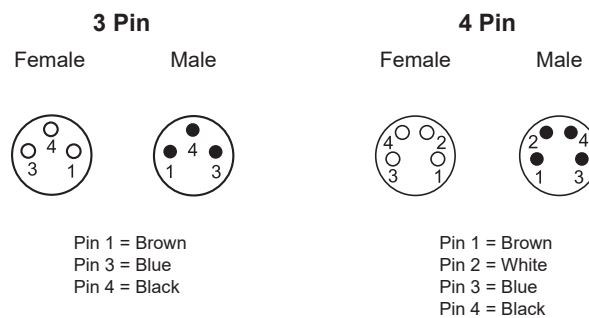
MALE



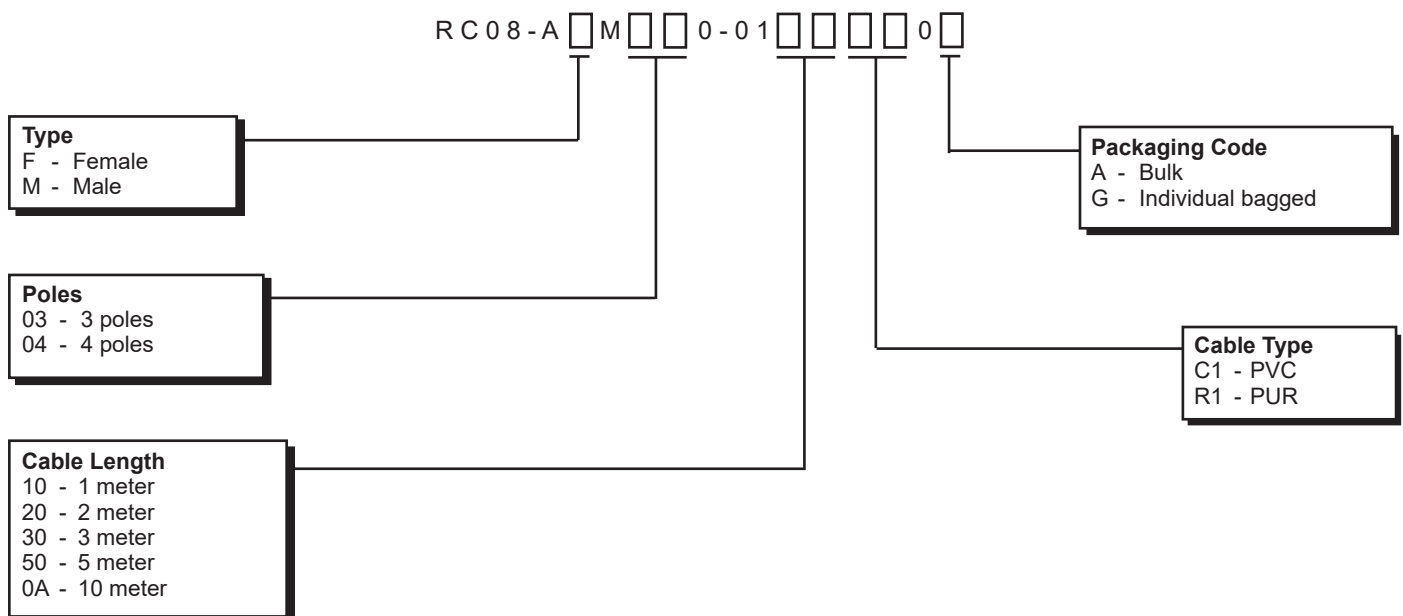
TECHNICAL DATA

Current Max.	4 Amps
Voltage Max.	120V AC/DC
Materials	Housing: PA, TPU Nut: Nickel Plated Brass Contacts: Gold Plated Brass
Temperature Range	-20° to +80°C
Environmental Protection	IP 68, IP 69 (Securely connected)
Cable Diameter	5.0mm
Cable Type	PVC, PUR
Wire Gauge	24 AWG

PIN CONFIGURATION



ORDERING INFORMATION



Ordering Example: RC08-AFM030-0120C10A

Female, 3 pole, 2 meter, PVC, bulk