



# Compact cylinder—ACE Series

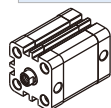
In accordance with ISO21287 standard

## Compendium of ACE Series

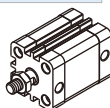
### In accordance with ISO21287 standard

In accordance with ISO21287 standard, the mounting size is vogue.

### Two kinds of rod type



Female thread



Male thread



### Multi-type cylinder

ACE: Compact cylinder (Double acting)



ASE: Compact cylinder (Single acting-push)



ATE: Compact cylinder (Single acting-pull)



ACED: Compact cylinder (Double rod)



ACEJ: Compact cylinder (Adjustable stroke)



TACE: Compact cylinder (Double acting non-rotating with yoke)



TACED: Compact cylinder (Double rod non-rotating with yoke)



### Compact structure

Compact structure can effectively save fifty percent installation space with ISO15552 standard cylinder.

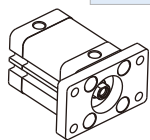
### Eleven bore size are available

Bore size: 12, 16, 20, 25, 32, 40, 50, 63, 80, 100, 125

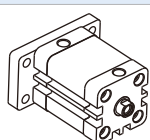
### Magnetic switch slots around the cylinder body

There are magnetic switch slots around the cylinder body convenient to install inducting switch.

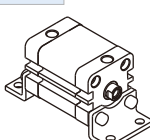
### Multi-mounting accessories



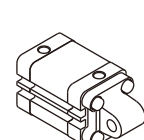
FA Type



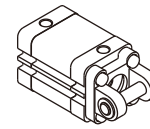
FB Type



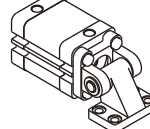
LB Type



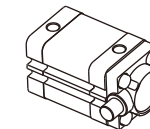
CA Type



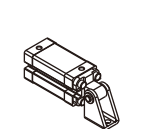
CB Type



CR Type



FTC Type



SDB Type

## Criteria for selection: Cylinder thrust

Unit: Newton(N)

Bore size	Rod size	Acting type	Pressure area(mm <sup>2</sup> )	Operating pressure(MPa)							
				0.1	0.2	0.3	0.4	0.5	0.6	0.7	
12	6	Single acting	Push side	113.1	-	6.1	17.4	28.7	40.0	51.4	62.7
			Pull side	84.8	-	0.5	8.9	17.4	25.9	34.4	42.9
		Double acting	Push side	113.1	11.3	22.6	33.9	45.2	56.5	67.9	79.2
			Pull side	84.8	8.5	17.0	25.4	33.9	42.4	50.9	59.4
16	8	Single acting	Push side	201.1	-	18.1	38.2	58.3	78.4	98.5	118.6
			Pull side	150.8	-	8.1	23.1	38.2	53.3	68.4	83.5
		Double acting	Push side	201.1	20.1	40.2	60.3	80.4	100.5	120.6	140.7
			Pull side	150.8	15.1	30.2	45.2	60.3	75.4	90.5	105.6
20	10	Single acting	Push side	314.2	-	33.1	64.5	96.0	127.4	158.8	190.2
			Pull side	235.6	-	17.4	41.0	64.5	88.1	111.7	135.2
		Double acting	Push side	314.2	31.4	62.8	94.2	125.7	157.1	188.5	219.9
			Pull side	235.6	23.6	47.1	70.7	94.2	117.8	141.4	164.9
25	10	Single acting	Push side	490.9	13.8	62.9	112.0	161.0	210.1	259.2	308.3
			Pull side	412.3	5.9	47.2	88.4	129.6	170.9	212.1	253.3
		Double acting	Push side	490.9	49.1	98.2	147.3	196.3	245.4	294.5	343.6
			Pull side	412.3	41.2	82.5	123.7	164.9	206.2	247.4	288.6
32	12	Single acting	Push side	804.2	30.8	111.2	191.7	272.1	352.5	432.9	513.4
			Pull side	691.2	19.5	88.6	157.7	226.9	296.0	365.1	434.2
		Double acting	Push side	804.2	80.4	160.8	241.3	321.7	402.1	482.5	563.0
			Pull side	691.2	69.1	138.2	207.3	276.5	345.6	414.7	483.8

Bore size	Rod size	Acting type	Pressure area(mm <sup>2</sup> )	Operating pressure(MPa)							
				0.1	0.2	0.3	0.4	0.5	0.6	0.7	
40	12	Single acting	Push side	1256.6	54.2	179.8	305.5	431.2	556.8	682.5	808.1
			Pull side	1143.5	42.9	157.2	271.6	385.9	500.3	614.6	729.0
		Double acting	Push side	1256.6	125.7	251.3	377.0	502.7	628.3	754.0	879.6
			Pull side	1143.5	114.4	228.7	343.1	457.4	571.8	686.1	800.5
50	16	Single acting	Push side	1963.5	90.1	286.5	482.8	679.2	875.5	1071.9	1268.2
			Pull side	1762.4	70.0	246.3	422.5	598.8	775.0	951.3	1127.5
		Double acting	Push side	1963.5	196.3	392.7	589.0	785.4	981.7	1178.1	1374.4
			Pull side	1762.4	176.2	352.5	528.7	705.0	881.2	1057.5	1233.7
63	16	Single acting	Push side	3117.2	173.6	485.3	797.1	1108.8	1420.5	1732.2	2044.0
			Pull side	2916.2	153.5	445.1	736.8	1028.4	1320.0	1611.6	1903.2
		Double acting	Push side	3117.2	311.7	623.4	935.2	1246.9	1558.6	1870.3	2182.1
			Pull side	2916.2	291.6	583.2	874.9	1166.5	1458.1	1749.7	2041.3
80	20	Single acting	Push side	5026.5	305.6	808.2	1310.9	1813.5	2316.2	2818.8	3321.5
			Pull side	4712.4	274.1	745.4	1216.6	1687.9	2159.1	2630.3	3101.6
		Double acting	Push side	5026.5	502.7	1005.3	1508.0	2010.6	2513.3	3015.9	3518.6
			Pull side	4712.4	471.2	942.5	1413.7	1885.0	2356.2	2827.4	3298.7
100	20	Single acting	Push side	7854.0	499.1	1284.5	2069.9	2855.3	3640.7	4426.1	5211.5
			Pull side	7539.8	467.7	1221.7	1975.7	2729.6	3483.6	4237.6	4991.6
		Double acting	Push side	7854.0	785.4	1570.8	2356.2	3141.6	3927.0	4712.4	5497.8
			Pull side	7539.8	754.0	1508.0	2262.0	3015.9	3769.9	4523.9	5277.9
125	25	Double acting	Push side	12271.8	1227.2	2454.4	3681.5	4908.7	6135.9	7363.1	8590.3
		Pull side	11780.9	1178.1	2356.2	3534.3	4712.4	5890.5	7086.5	8246.6	

## Installation and application

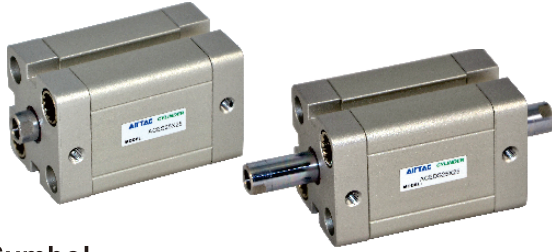


- When load changes in the work, the cylinder with abundant output capacity shall be selected.
- Relative cylinder with high temperature resistance or corrosion resistance shall be chosen under the condition of high temperature or corrosion.
- Necessary protection measure shall be taken in the environment with higher humidity, much dust or water drops, oil dust and welding dregs.
- Dirty substances in the pipe must be eliminated before cylinder is connected with pipeline to prevent the entrance of particles into the cylinder.
- The medium used by cylinder shall be filtered to 40μm or below.
- As both of the front cover and piston of the cylinder are short, typically too large stroke can not be selected.
- Anti-freezing measure shall be adopted under low temperature environment to prevent moisture freezing.
- The cylinder shall avoid the influence of side load in operation to maintain the normal work of cylinder and extend the service life.
- If the cylinder is dismantled and stored for a long time, please conduct anti-rust treatment to the surface. Anti-dust caps shall be added in air inlet and outlet ports. The front and back cover can not be dismantled, which shall be especially noticed.

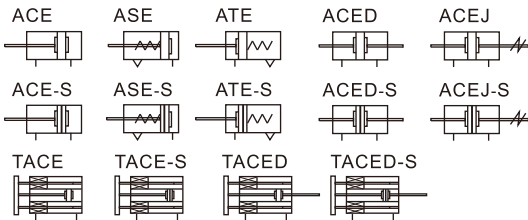


# Compact cylinder

## ACE Series



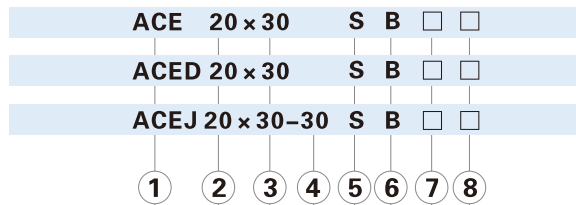
### Symbol



### Product feature

- In accordance with ISO21287 standard, the mounting size is vogue.
- The cylinder body connects with the threads of the front and back cover, forming high strength and convenient maintenance.
- The internal diameter of the body is treated with rolling followed by the treatment of hard anodizing, forming an excellent abrasion resistance and durability.
- The seal of piston adopts heterogeneous two-way seal structure. It has compact dimension and the function of oil reservation.
- Compact structure can effectively save fifty percent installation space with ISO15552 standard cylinder.
- There are magnetic switch slots around the cylinder body, which is convenient to install inducting switch.
- Bumper is available and it can available absorb excrescent energy.
- Installing accessorirs with various specifications are optional.

### Ordering code



① Model	② Bore size	③ Stroke	④ Adjustable Stroke	⑤ Magnet	⑥ Rod type	⑦ Mounting type [Note1]	⑧ Thread type[Note2]
ACE: Compact cylinder (Double acting)	12 16 20 25 32 40 50 63 80 100 125	Refer to stroke table for details	No this code	Blank: Without magnet S: With magnet	Blank: Female thread B: Male thread	Blank: No accessories FA: FA type FB: FB type CA: CA type CB: CB type	Blank: PT G: G
ASE: Compact cylinder (Single acting-push)	12 16 20 25 32 40 50 63 80 100					CR: CR type FTC: FTC type LB: LB type SDB: SDB type	
ATE: Compact cylinder (Single acting-pull)						CB: CB type CR: CR type FTC: FTC type	
TACE: Compact cylinder (Double acting non-rotating with yoke)	12 16 20 25 32 40 50 63 80 100 125				Blank: No accessories FB: FB type		
TACED: Compact cylinder (Double rod non-rotating with yoke)					Blank: No accessories FA: FA type FTC: FTC type LB: LB type		
ACED: Compact cylinder (Double rod)	12 16 20 25 32 40 50 63 80 100 125				10 20 30 40 50 75 100	Blank: Female thread B: Male thread	
ACEJ: Compact cylinder (Adjustable stroke)							

[Note1] Please refer to page 113~115 for accessory parts; CR must be used with CB, SDB must be used with CA, FTC must be used with TCM2.

[Note2] Standard thread is blank here.

### Specification

Bore size(mm)	12	16	20	25	32	40	50	63	80	100	125
Acting type	Double acting										
	Single acting_Push type、Single acting_Pull type										
Fluid	Air(to be filtered by 40μm filter element)										
Operating pressure	Double acting 0.15~1.0MPa(22~145psi) Single acting 0.2~1.0MPa(28~145psi)										
Proof pressure	1.5MPa(215psi)										
Temperature ℃	-20~70										
Speed range mm/s	Double acting: 30~500 Single acting: 50~500										
Stroke tolerance	Stroke≤100 <sup>+1.0</sup> Stroke>100 <sup>+1.5</sup>										
Cushion type	Bumper										
Port size [Note1]	M5×0.8						1/8"			1/4"	

[Note1] PT thread, G thread are available.

Add) Refer to P353 for detail of sensor switch.

### Stroke

Bore size (mm)	Standard stroke (mm)											Max.stroke																			
Common type	Double acting	12	5	10	15	20	25	30	35	40	45	50	50																		
		16	5	10	15	20	25	30	35	40	45	50	55	60	70	75	75														
		20	5	10	15	20	25	30	35	40	45	50	55	60	70	75	80	90	100	100											
		25	5	10	15	20	25	30	35	40	45	50	55	60	70	75	80	90	100	110	120	125	150	150							
		32 40	5	10	15	20	25	30	35	40	45	50	55	60	70	75	80	90	100	110	120	125	150	160	175	200	200				
		50 63	5	10	15	20	25	30	35	40	45	50	55	60	70	75	80	90	100	110	120	125	150	160	175	200	225	250	250		
Non-rotating with yoke	Double acting	80 100 125	5	10	15	20	25	30	35	40	45	50	55	60	70	75	80	90	100	110	120	125	150	160	175	200	225	250	275	300	300
		Single acting	12	5	10	10																									
			16~100	5	10	15	20	25	25																						
		Non-rotating with yoke	Double acting	12	5	10	15	20	25	30	35	40	45	50	50																
				16	5	10	15	20	25	30	35	40	45	50	55	60	70	75	75												
				20 25	5	10	15	20	25	30	35	40	45	50	55	60	70	75	80	90	100	100									
32 40	5			10	15	20	25	30	35	40	45	50	55	60	70	75	80	90	100	100											
50 63	5			10	15	20	25	30	35	40	45	50	55	60	70	75	80	90	100	100											
80 100	5	10	15	20	25	30	35	40	45	50	55	60	70	75	80	90	100	100													

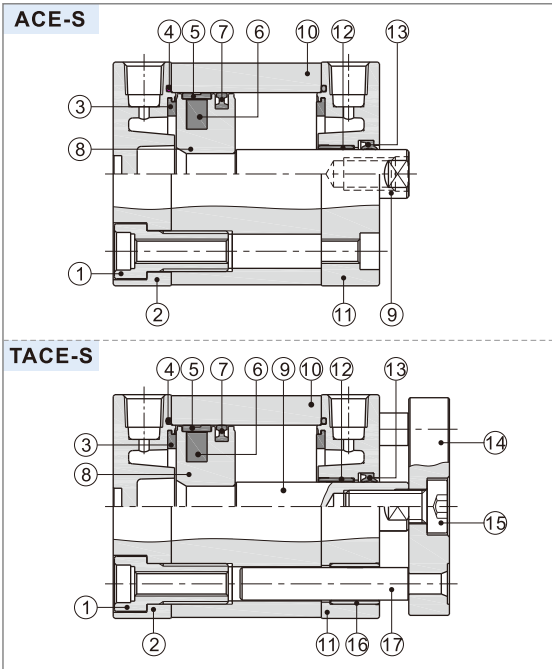
Note) 1. Please contact the company for other special strokes.

2. The dimensions of non-std stroke cylinder has the same dimensions as the next longer stroke std. stroke cylinder. e.g. 23mm stroke cylinder has the same dimensions of 25 std. stroke cylinder.

# Compact cylinder

## ACE Series

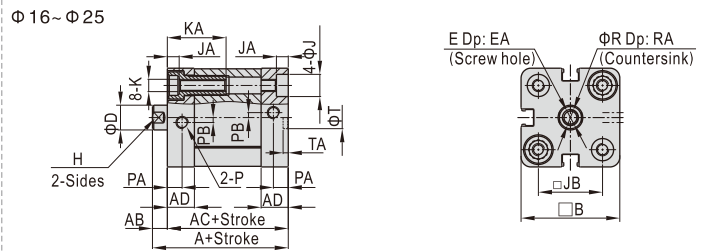
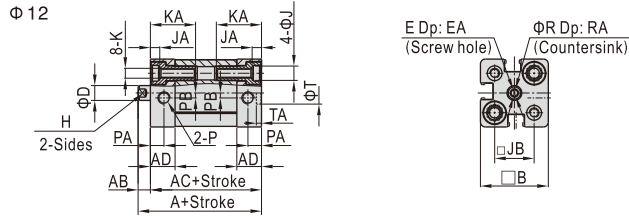
### Inner structure and material of major parts



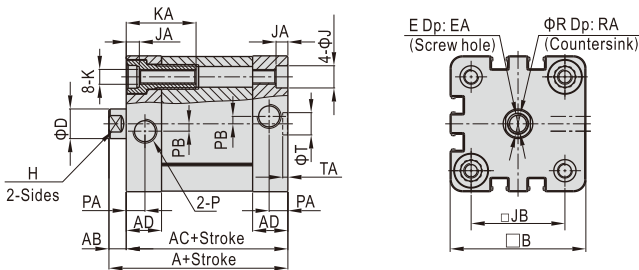
NO.	Item	Material
1	Screw	Carbon steel
2	Back cover	Aluminum alloy
3	Bumper	TPU
4	O-ring	NBR
5	Wear ring	No(Φ12~20)\Wear resistant material(Others)
6	Magnet	Sintered metal(Neodymium-iron-boron)(Φ12~20)\Plastic(Others)
7	Piston seal	NBR
8	Piston	Aluminum alloy
9	Piston rod	S45C
10	Body	Aluminum alloy
11	Front cover	Aluminum alloy
12	Bushing	No(Φ12~25)\Wear resistant material(Others)
13	Front cover packing	NBR
14	Panel	Aluminum alloy
15	Screw	Carbon steel
16	Bushing	Wear resistant material
17	Guide rod	Stainless steel(Φ12~40)\S45C(Others)

### Dimensions

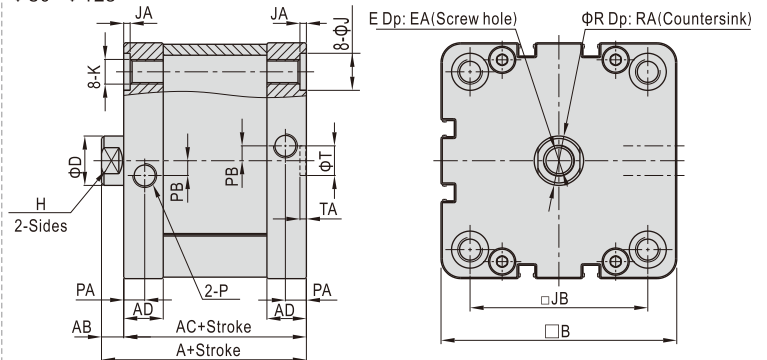
#### ACE



#### Φ32~Φ63



#### Φ80~Φ125



Bore size/Item	A	AB	AC	AD	B	D	E	EA	H	J	JA	JB	K	KA	P	PA	PB	R	RA	T	TA
12	40	5	35	10	27.5	6	M3×0.5	8	5	6	3.5	16	M4×0.7	18.5	M5×0.8	5.5	2	3.5	1.5	9	2.1
16	40	5	35	10	30	8	M4×0.7	10	7	6	3.5	18	M4×0.7	18.5	M5×0.8	5.5	2	4.5	1.5	9	2.1
20	43	6	37	10.5	35.5	10	M6×1.0	14	9	9	4.5	22	M5×0.8	23.5	M5×0.8	6	2	6.5	2.5	9	2.1
25	45	6	39	11	40	10	M6×1.0	14	9	9	4.5	26	M5×0.8	23.5	M5×0.8	6	2	6.5	2.5	9	2.1
32	51	7	44	14	49.5	12	M8×1.25	16	10	9	4.5	32.5	M6×1.0	28.5	G1/8	7.5	3	8.5	3.5	9	2.1
40	52.5	7	45.5	14.5	55	12	M8×1.25	16	10	9	4.5	38	M6×1.0	28.5	G1/8	7.5	3	8.5	3.5	9	2.1
50	53.5	8	45.5	14.5	65.5	16	M10×1.5	20	13	11	4.5	46.5	M8×1.25	30.5	G1/8	7.5	3	10.5	4.5	12	2.6
63	57	8	49	15	75.5	16	M10×1.5	20	13	11	4.5	56.5	M8×1.25	30.5	G1/8	7.5	4	10.5	4.5	12	2.6
80	63	9	54	16	95.5	20	M12×1.75	20	17	15	2.5	72	M10×1.5	-	G1/8	8.5	6	12.5	6	12	2.6
100	76	9	67	19	113.5	20	M12×1.75	20	17	15	2.5	89	M10×1.5	-	G1/8	10.5	7	12.5	6	12	2.6
125	92	11	81	20	134.5	25	M16×2.0	25	21	-	-	110	M12×1.75	-	G1/4	10.5	8	16.5	7	12	2.6

Remark: The dimensions of magnet type cylinder are the same as non-magnet type cylinder. Please refer to page 112 for male thread dimensions.

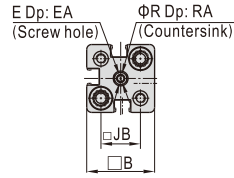
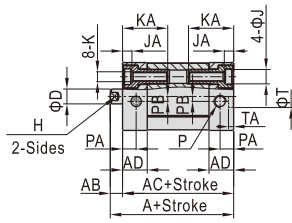


# Compact cylinder

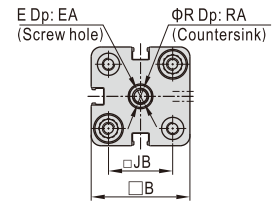
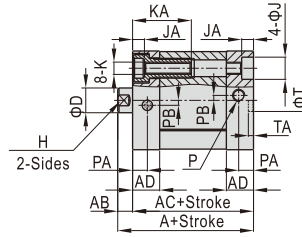
## ACE Series

### ASE

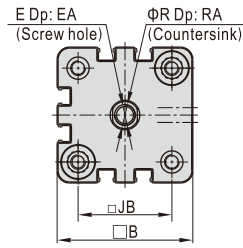
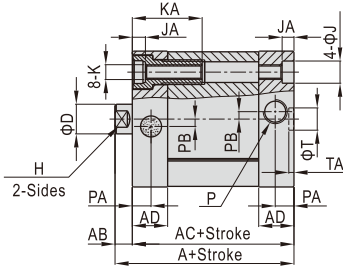
Φ 12



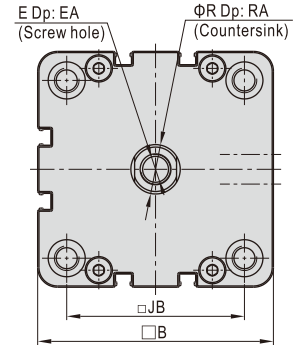
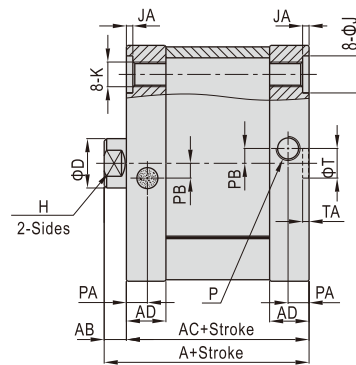
Φ 16~Φ 25



Φ 32~Φ 63

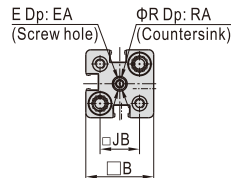
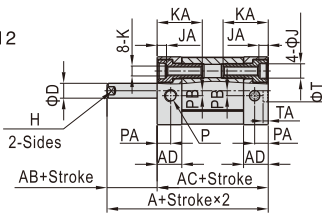


Φ 80/Φ 100

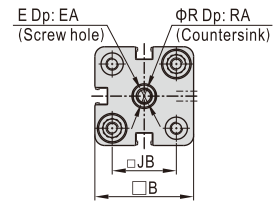
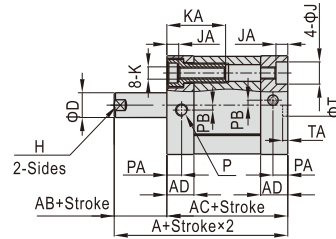


### ATE

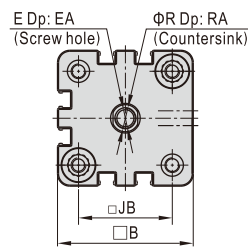
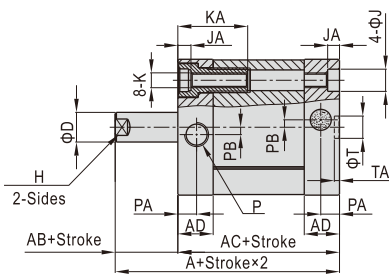
Φ 12



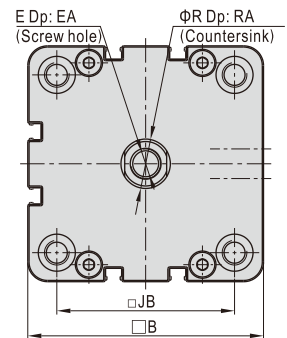
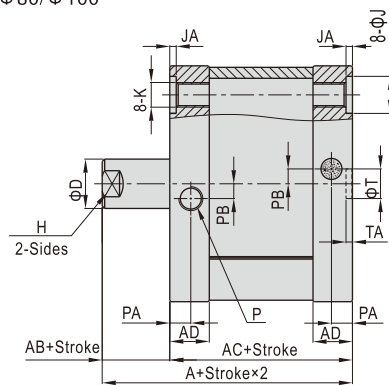
Φ 16~Φ 25



Φ 32~Φ 63



Φ 80/Φ 100



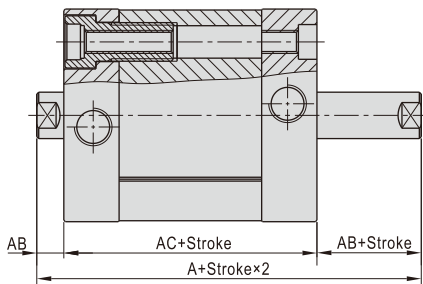
Bore size\Item	A	AB	AC	AD	B	D	E	EA	H	J	JA	JB	K	KA	P	PA	PB	R	RA	T	TA
12	40	5	35	10	27.5	6	M3×0.5	8	5	6	3.5	16	M4×0.7	18.5	M5×0.8	5.5	2	3.5	1.5	9	2.1
16	40	5	35	10	30	8	M4×0.7	10	7	6	3.5	18	M4×0.7	18.5	M5×0.8	5.5	2	4.5	1.5	9	2.1
20	43	6	37	10.5	35.5	10	M6×1.0	14	9	4.5	22	M5×0.8	23.5	M5×0.8	6	2	6.5	2.5	9	2.1	
25	45	6	39	11	40	10	M6×1.0	14	9	4.5	26	M5×0.8	23.5	M5×0.8	6	2	6.5	2.5	9	2.1	
32	51	7	44	14	49.5	12	M8×1.25	16	10	9	4.5	32.5	M6×1.0	28.5	G1/8	7.5	3	8.5	3.5	9	2.1
40	52.5	7	45.5	14.5	55	12	M8×1.25	16	10	9	4.5	38	M6×1.0	28.5	G1/8	7.5	3	8.5	3.5	9	2.1
50	53.5	8	45.5	14.5	65.5	16	M10×1.5	20	13	11	4.5	46.5	M8×1.25	30.5	G1/8	7.5	3	10.5	4.5	12	2.6
63	57	8	49	15	75.5	16	M10×1.5	20	13	11	4.5	56.5	M8×1.25	30.5	G1/8	7.5	4	10.5	4.5	12	2.6
80	63	9	54	16	95.5	20	M12×1.75	20	17	15	2.5	72	M10×1.5	-	G1/8	8.5	6	12.5	6	12	2.6
100	76	9	67	19	113.5	20	M12×1.75	20	17	15	2.5	89	M10×1.5	-	G1/8	10.5	7	12.5	6	12	2.6

Remark: The dimensions of magnet type cylinder are the same as non-magnet type cylinder. Please refer to page 112 for male thread dimensions.

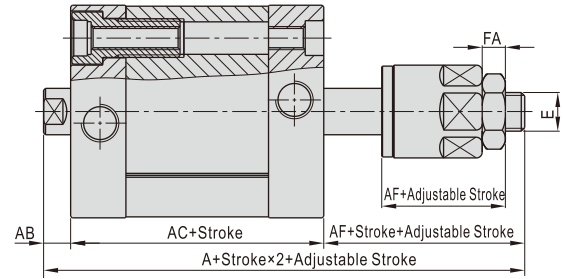
# Compact cylinder

## ACE Series

### ACED



### ACEJ

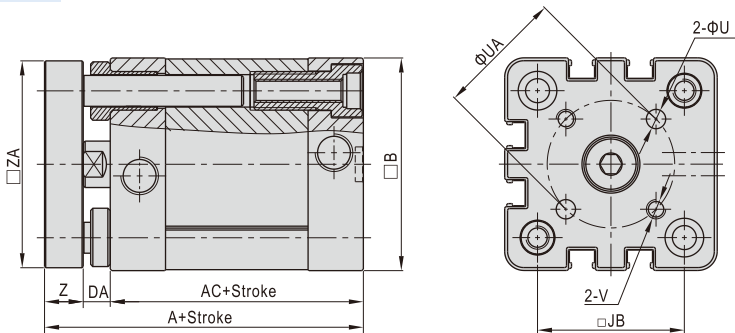


Bore size\Item	A(ACED)	A(ACEJ)	AB	AC	AF	FA	E
12	45	57	5	35	17	4	M5×0.8
16	45	61	5	35	21	5	M6×1.0
20	49	68	6	37	25	6	M8×1.25
25	51	70	6	39	25	6	M8×1.25
32	58	78	7	44	27	6	M10×1.25
40	59.5	79.5	7	45.5	27	6	M10×1.25
50	61.5	81.5	8	45.5	28	7	M12×1.25
63	65	85	8	49	28	7	M12×1.25
80	72	92	9	54	29	8	M16×1.5
100	85	105	9	67	29	8	M16×1.5
125	103	127.5	11	81	35.5	10	M20×1.5

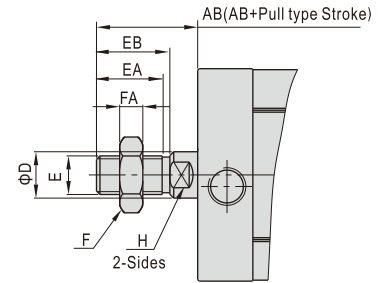
Remark:

1. The unmarked dimension is the same as ACE standard type
2. The dimensions of magnet type cylinder are the same as non-magnet type cylinder.

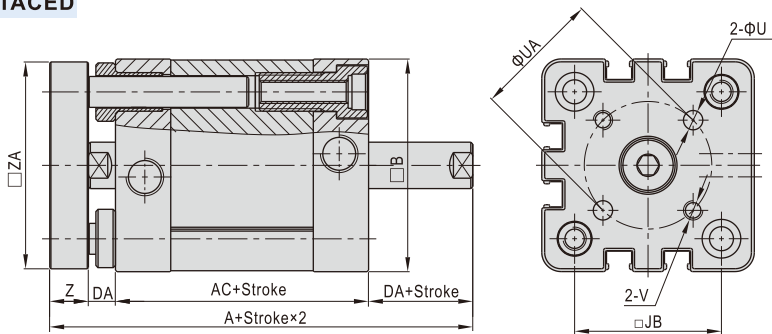
### TACE



### Male thread



### TACED



Bore size\Item	AB	D	E	EA	EB	F	FA	H
12	15	6	M5×0.8	9	10	8	4	5
16	17	8	M6×1.0	11	12	10	5	7
20	22	10	M8×1.25	15	16	12	6	9
25	22	10	M8×1.25	15	16	12	6	9
32	26	12	M10×1.25	17	19	17	6	10
40	26	12	M10×1.25	17	19	17	6	10
50	30	16	M12×1.25	20	22	17	7	13
63	30	16	M12×1.25	20	22	17	7	13
80	37	20	M16×1.5	26	28	23	8	17
100	37	20	M16×1.5	26	28	23	8	17
125	51	25	M20×1.5	38	40	26	10	21

Bore size\Item	A(TACE)	A(TACED)	AC	B	DA	JB	U	UA	V	Z	ZA
12	46	51	35	27.5	5	16	3	12	M3×0.5	6	26.5
16	46	51	35	30	5	18	3	14	M3×0.5	6	29
20	51	57	37	35.5	6	22	4	17	M4×0.7	8	34.5
25	53	59	39	40	6	26	5	22	M5×0.8	8	39
32	61	68	44	49.5	7	32.5	5	28	M5×0.8	10	48
40	62.5	69.5	45.5	55	7	38	5	33	M5×0.8	10	53.5
50	65.5	73.5	45.5	65.5	8	46.5	6	42	M6×1.0	12	64
63	69	77	49	75.5	8	56.5	6	50	M6×1.0	12	74
80	77	86	54	95.5	9	72	8	65	M8×1.25	14	94
100	90	99	67	113.5	9	89	10	80	M10×1.5	14	112

Remark:

1. The unmarked dimension is the same as ACE standard type
2. The dimensions of magnet type cylinder are the same as non-magnet type cylinder.

# Compact cylinder

## ACE Series—Accessories

### List for ordering code of accessories

Accessories Bore size	Mounting accessories									Knuckle				Sensor switch	
	LB	FA/FB	CA	CB	CR	SDB	FTC	TCM2	I	Y	F	U	CMSE	DMSE	
12	F-ACE12LB	F-ACE12FA	F-ACE12CA	-	-	F-M12SDB	-	-	F-ACQ12I	F-ACQ12Y	F-M5X080F	F-M5X080U	CMSE	DMSE	
16	F-ACP12LB	F-ACE16FA	F-ACE16CA	-	-	F-M12SDB	-	-	F-M6X100I	F-M6X100Y	F-M6X100F	F-M6X100U			
20	F-ACP20LB	F-ACE20FA	F-ACE20CA	-	-	F-M20SDB	-	-	F-M8X125I	F-M8X125Y	F-M8X125F	F-M8X125U			
25	F-ACP25LB	F-ACE25FA	F-ACE25CA	-	-	F-M20SDB	-	-							
32	F-ACE32LB	F-SI32FA	F-SE32CA	F-SE32CB	F-SI32CR	-	F-SI32FTC	F-SI32TCM2	F-M10X125I	F-M10X125Y	F-M10X125F	F-M10X125U			
40	F-ACE40LB	F-SI40FA	F-SE40CA	F-SE40CB	F-SI40CR	-	F-SI40FTC	F-SI40TCM2							
50	F-ACE50LB	F-SI50FA	F-SE50CA	F-SE50CB	F-SI50CR	-	F-SI50FTC	F-SI50TCM2	F-M12X125I	F-M12X125Y	F-M12X125F	F-M12X125U			
63	F-ACE63LB	F-SI63FA	F-SE63CA	F-SE63CB	F-SI63CR	-	F-SI63FTC	F-SI63TCM2							
80	F-ACE80LB	F-SI80FA	F-SE80CA	F-SE80CB	F-SI80CR	-	F-SI80FTC	F-SI80TCM2	F-M16X150I	F-M16X150Y	F-M16X150F	F-M16X150U			
100	F-ACE100LB	F-SI100FA	F-SE100CA	F-SE100CB	F-SI100CR	-	F-SI100FTC	F-SI125TCM2							
125	-	F-SI125FA	F-SE125CA	F-SE125CB	F-SI125CR	-	F-SI125FTC	F-SI125TCM2	F-M20X150I	F-M20X150Y	F-M20X150F	F-M20X150U			

### Accessory selection

Cylinder model\Accessories			Mounting accessories									Knuckle[Note1]				Sensor switch	
			LB	FA	FB	CA	CB	CR	SDB	FTC	TCM2	I	Y	U	F	CMSE	DMSE
ACE	Female thread	Without magnet													×	×	
		With magnet	●	●	●	●	●	●	●	●	●	×	×	×	×	●	●
	Male thread	Without magnet													×	×	
		With magnet	●	●	●	●	●	●	●	●	●	●	●	●	●	●	●
ASE ATE	Female thread	Without magnet													×	×	
		With magnet	●	●	●	●	●	●	●	●	●	×	×	×	×	●	●
	Male thread	Without magnet													×	×	
		With magnet	●	●	●	●	●	●	●	●	●	●	●	●	●	●	●
ACED ACEJ	Female thread	Without magnet													×	×	
		With magnet	●	●	×	×	×	×	×	●	●	×	×	×	×	●	●
	Male thread	Without magnet													×	×	
		With magnet	●	●	●	●	●	●	●	●	●	●	●	●	●	●	●
TACE	Female thread	Without magnet	×	×	●	●	●	●	●	●	×	×	×	×	×	×	
		With magnet	×	×	●	●	●	●	●	●	×	×	×	×	×	●	●
TACED	Female thread	Without magnet	×	×	●	×	×	×	×	×	×	×	×	×	×	×	
		With magnet	×	×	●	×	×	×	×	×	×	×	×	×	×	●	●

[Note1] The I knuckle and Y knuckle for bore  $\Phi 12$  are adaptable to ACQ cylinders, and other knuckles are common parts. Please refer to P349~352 for knuckle detail.

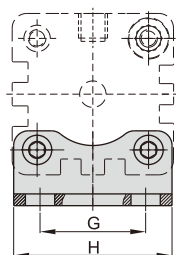
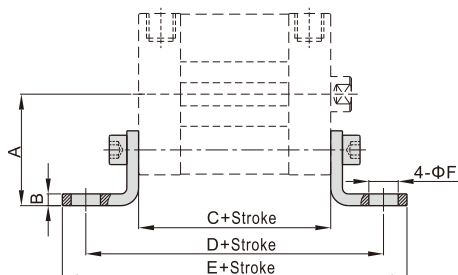
### Material of accessories

Accessories Bore size	Mounting accessories									Knuckle			
	LB	FA	FB	CA	CB	CR	SDB	FTC	TCM2	I	Y	F	U
12~25	△	●	●	●	-	-	△	■	●	□	□	□	□
32~100	△	●	●	◇	◇	◇	-	■	●	□	□	□	□
125	-	◇	◇	◇	◇	◇	-	■	●	□	□	□	□

●—Aluminum alloy; ■—Cast iron; ◇—Ductile Iron; △—SPCC; □—Carbon Steel

### Dimensions

#### LB



Bore size\Item	A	B	C	D	E	F	G	H
12	21	3	35	61	71	5.5	16	25
16	22	3	35	61	70.6	5.5	18	27
20	27	3.8	37	69	81.6	6.5	22	34
25	29	3.8	39	71	83.6	6.5	26	38
32	33.5	4	44	76	89	7	32	48
40	38	4	45.5	81.5	97.5	10	36	54
50	45	5	45.5	87.5	103.5	10	45	65
63	50	5	49	91	107	10	50	75
80	63	6	54	106	127	12	63	95
100	74	6	67	121	146	14.5	75	112

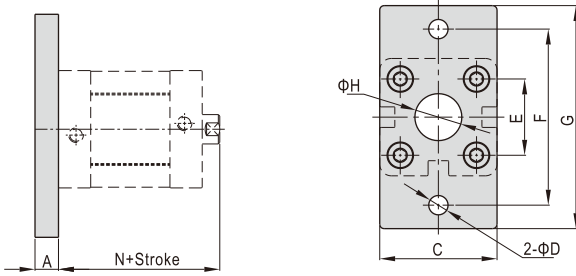
[Note] Valve C in the above table is only for ACE series. Please refer to relevant content for valve C of other series.

# Compact cylinder

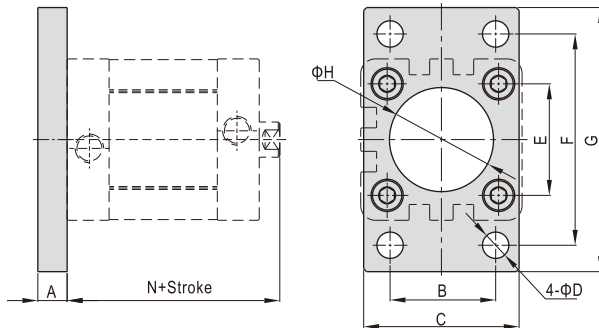
## ACE Series—Accessories

### FA/FB

Φ 12~Φ 25



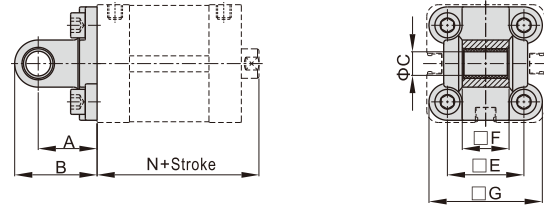
Φ 32~Φ 125



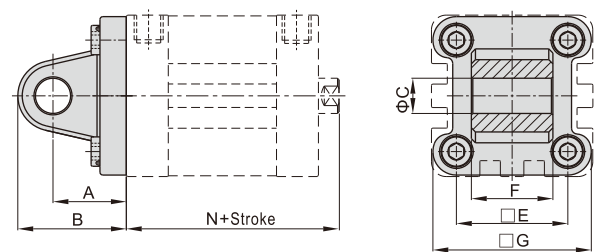
Bore size\Item	A	B	C	D	E	F	G	H	N
12	8	-	25	5.5	16	40	55	10	40
16	8	-	30	5.5	18	43	55	10	40
20	8	-	35	6.6	22	55	68	16	43
25	8	-	39.5	6.6	26	60	76	16	45
32	10	32	47	7	32.5	64	80	30.5	51
40	10	36	53	9	38	72	90	35.5	52.5
50	12	45	65	9	46.5	90	108	40.5	53.5
63	12	50	75	9	56.5	100	118	45.5	57
80	16	63	95	12.5	72	126	150	45.5	63
100	16	75	115	14.5	89	150	176	55.5	76
125	20	90	139	16.5	110	180	218	60.5	92

### CA

Φ 12~Φ 25

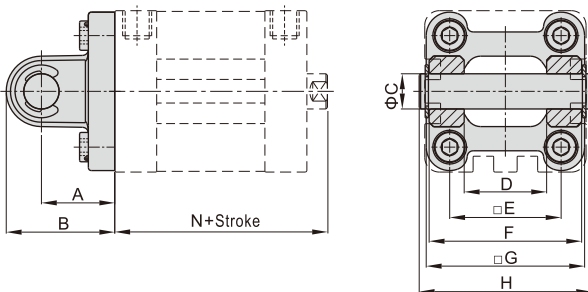


Φ 32~Φ 125



Bore size\Item	A	B	C	E	F	G	N
12	16	22	6	16	11.9	24	40
16	16	22	6	18	11.9	28.5	40
20	20	28	8	22	15.9	34.5	43
25	20	28	8	26	15.9	38.5	45
32	22	32.5	10	32.5	25.8	46.5	51
40	25	37	12	38	27.8	54	52.5
50	27	39	12	46.5	31.7	64	53.5
63	32	47	16	56.5	39.7	75	57
80	36	51.5	16	72	49.7	93	63
100	41	61	20	89	59.7	110	76
125	50	74	25	110	69.7	134	92

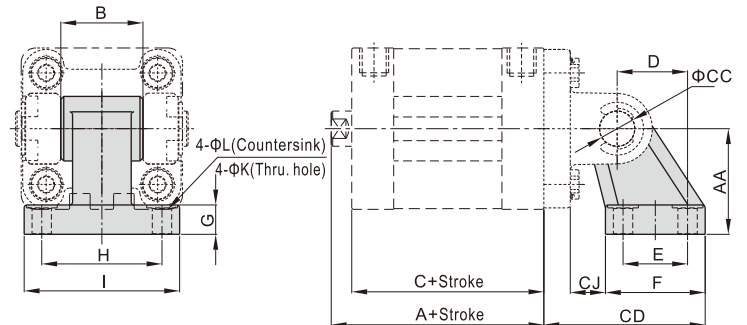
### CB Φ 32~Φ 125



Bore size\Item	A	B	C	D	E	F	G	H	N
32	22	32.5	10	26	32.5	45	46.5	51	51
40	25	37	12	28	38	52	54	59	52.5
50	27	39	12	32	46.5	60	64	67	53.5
63	32	47	16	40	56.5	70	75	77	57
80	36	51.5	16	50	72	90	93	97	63
100	41	61	20	60	89	110	110	119	76
125	50	74	25	70	110	130	134	139	92

[Note] CB is attached with relevant PIN.

### CR Φ 32~Φ 125



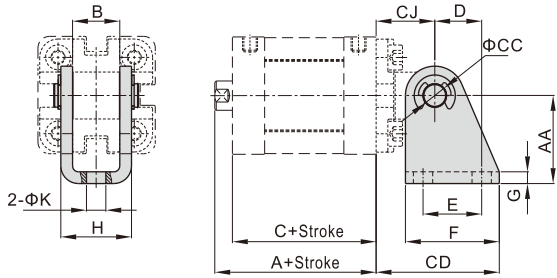
Bore size\Item	A	AA	B	C	CC	CD	CJ	D	E	F	G	H	I	K	L
32	51	32	26	44	10	50	10	21	18	31	8	38	51	6.6	11
40	52.5	36	28	45.5	12	56	12	24	22	35	10	41	54	6.6	11
50	53.5	45	32	45.5	12	68	13	33	30	45	12	50	65	9	14
63	57	50	40	49	16	77	17	37	35	50	12	52	67	9	14
80	63	63	50	54	16	93	19	47	40	60	14	66	86	11	17
100	76	71	60	67	20	106	22	55	50	70	15	76	96	11	17
125	92	90	70	81	25	135	26	70	60	90	20	94	124	14	20

[Note] CR can't be used alone, it must be used with CB.

# Compact cylinder

## ACE Series—Accessories

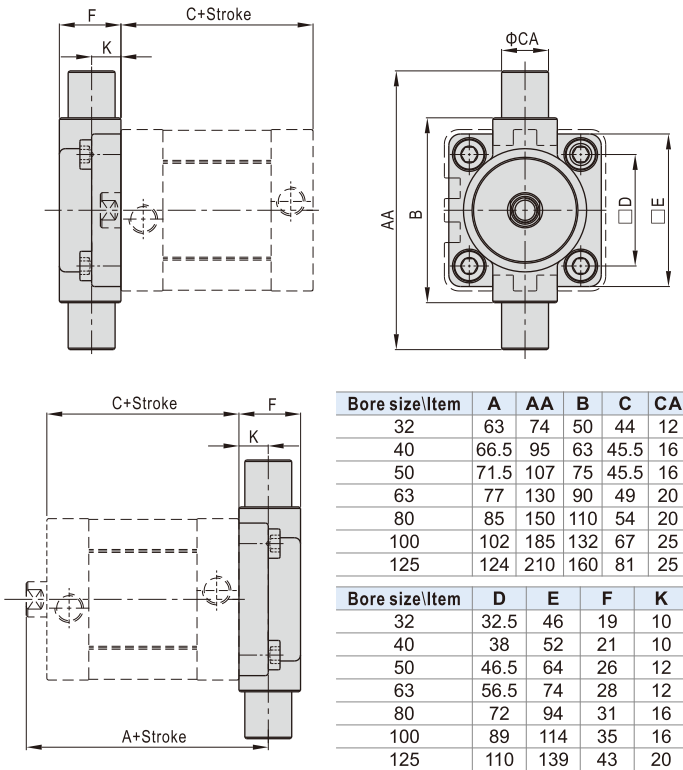
**SDB**  $\Phi 12\sim\Phi 25$



Bore size\Item	A	AA	B	C	CC	CD	CJ	D	E	F	G	H	K
12	40	27	12.1	35	6	34	16	13	15	25	2	18.1	5.5
16	40	27	12.1	35	6	34	16	13	15	25	2	18.1	5.5
20	43	30	16.1	37	8	42	20	16	20	32	2.5	24.1	6.6
25	45	30	16.1	39	8	42	20	16	20	32	2.5	24.1	6.6

[Note] SDB can't be used alone, it must be used with CA.

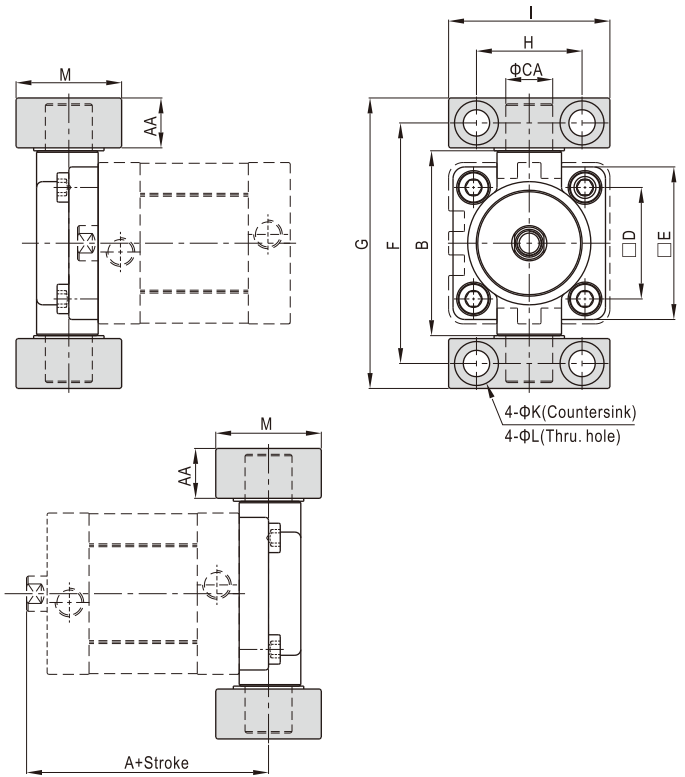
**FTC**  $\Phi 32\sim\Phi 125$



Bore size\Item	A	AA	B	C	CA
32	63	74	50	44	12
40	66.5	95	63	45.5	16
50	71.5	107	75	45.5	16
63	77	130	90	49	20
80	85	150	110	54	20
100	102	185	132	67	25
125	124	210	160	81	25

Bore size\Item	D	E	F	K
32	32.5	46	19	10
40	38	52	21	10
50	46.5	64	26	12
63	56.5	74	28	12
80	72	94	31	16
100	89	114	35	16
125	110	139	43	20

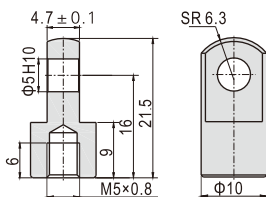
**TCM2**  $\Phi 32\sim\Phi 125$



Bore size\Item	A	AA	B	CA	D	E	F	G	H	I	K	L	M
32	63	14	52	12	32.5	46	66	80	32	46	11	7	30
40	66.5	17	65	16	38	52	82	99	36	55	15	9	36
50	71.5	17	75	16	46.5	64	94	111	36	55	15	9	36
63	77	20.5	90	20	56.5	74	113.5	134	42	65	18	11	40
80	85	20.5	112	20	72	94	133.5	154	42	65	18	11	40
100	102	24.5	135	25	89	114	159.5	184	50	75	20	14	50
125	124	24.5	170	25	110	139	187.5	212	50	75	20	14	50

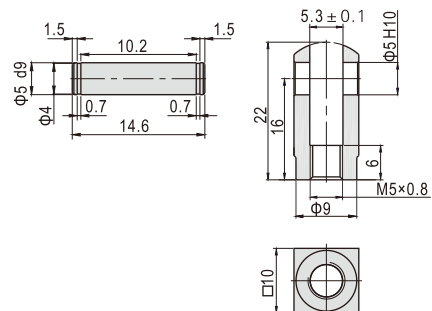
[Note] TCM2 can't be used alone, it must be used with FTC.  
The installation position of the accessories can not be adjusted arbitrarily.

**I Knuckle** F-ACQ12I



[Note] Other I knuckles are common parts.  
Please refer to P349 for knuckle detail,

**Y Knuckle** F-ACQ12Y



[Note] Other Y knuckles are common parts.  
Please refer to P350 for knuckle detail.